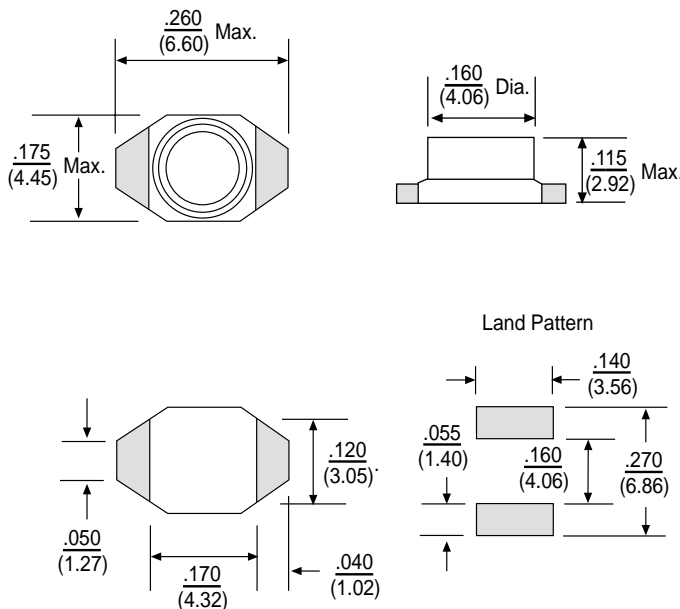


# RL-1608-S

## SMT POWER INDUCTOR SERIES



The RL-1608-S Series offers shielded surface mount power inductors in our smallest package with a footprint of .26" x .175". With a low cost, high energy storage and low resistance they are ideal for communication, computer and converter applications. Specifically designed with a flat top for reliable pick and place operations. They can withstand solder flow, reflow and wave soldering applications. Available in 25 values with inductance ratings from 1.0μH to 10mH and currents up to 3 Amps.



Packaged 2,000 parts per reel.

ALL DIMENSIONS IN INCHES (mm)

PART NUMBER	Inductance <sup>1</sup> (μH ± 20%)	DCR max. (Ohms)	Rated Current <sup>3</sup> (Amps)
RL-1608-S-1.0	1.0	.040	3.0
RL-1608-S-1.5	1.5	.045	2.8
RL-1608-S-2.2	2.2	.050	1.8
RL-1608-S-3.3	3.3	.055	1.6
RL-1608-S-4.7	4.7	.060	1.4
RL-1608-S-6.8	6.8	.065	1.2
RL-1608-S-10	10	.075	1.0
RL-1608-S-15	15	.090	.80
RL-1608-S-22	22	.11	.70
RL-1608-S-33	33	.19	.60
RL-1608-S-47	47	.23	.50
RL-1608-S-68	68	.29	.40
RL-1608-S-100	100	.48	.30
RL-1608-S-150	150	.59	.26
RL-1608-S-220	220	.77	.22
RL-1608-S-330	330	1.4	.20
RL-1608-S-470	470	1.8	.19
RL-1608-S-680	680	2.2	.18
RL-1608-S-1000	1000	3.4	.15
RL-1608-S-1500	1500	4.2	.12
RL-1608-S-2200	2200	8.5	.10
RL-1608-S-3300	3300	11.0	.08
RL-1608-S-4700	4700	13.9	.06
RL-1608-S-6800	6800	25.0	.04
RL-1608-S-10000	10000	32.8	.02

1. Tested at 100 kHz, 0.1 Vrms.

2. ΔT = 30°C rise typ.

Operating temperature range -40°C to +85°C.



### RENCO ELECTRONICS, INC.

595 International Place, Rockledge, FL 32955-4200 USA

(321) 637-1000 • Toll Free Engineering Hot line 800-645-5828

Fax: (321) 637-1600 Web Site: [www.rencousa.com](http://www.rencousa.com) E-mail: [sales@rencousa.com](mailto:sales@rencousa.com)